

BY5000

BY5000 is the first 20-foot, 5 MWh liquid-cooled energy storage system. It features a 375 Ah large battery cell, a double-layer liquid-cooled PACK structural design, and a single cluster with a management string design. This system is easy to transport and install, offering customers a more efficient, safer, and smarter all-encompassing energy storage solution.



Flexible Expansion

Support DC side expansion, meet the capacity requirements of various scenarios.



Ultra Safe

Three-stage fire protection + active pressure release + explosion proof; three-stage fuse, real-time insulation check.



Long Lifetime

Double-layer liquid-cooled battery cell PACK structure design, intelligent temperature control.



IP55+C5

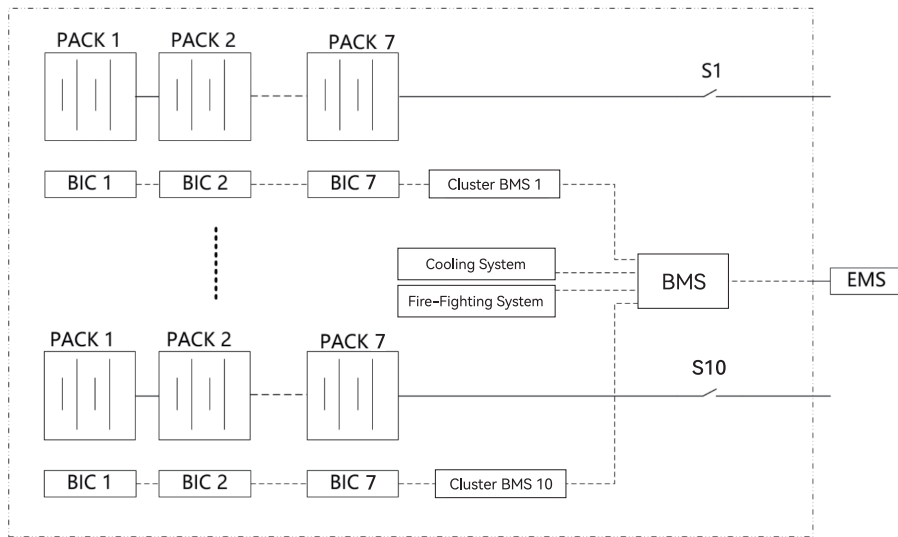
Ultra-high level protection, Handles harsh environments such as high humidity and salt spray corrosion with ease.



Minimal O&M

Modular & non-walk-in design, battery pre-assembly, easy to install, easy to deploy, easy to maintain.

Diagram



Specification

Model	BY5000
Battery	
Battery Type	LiFePO ₄
Battery Capacity	375Ah
Rated Current	1880A
Max. Current	2120A
PACK Configuration	1P60S
PACK Quantity	7 PACK*10 Cluster
Voltage Range	1176~1500Vdc
Nominal Capacity	5.04MWh
System	
Weight	43t (TBD)
Dimension (W/D/H)	6058/2438/3400mm (TBD)
Max. Efficiency	≥93% (TBD)
Liquid-cooling Power	60kW (Cooling) (TBD)
Temperature	-20~50°C (Derating above 45°C)
Humidity	0~95%RH (Non-condensing)
Ingress Protection	IP55
Anti-Corrosion Grade	C5
Cooling Method	Liquid-cooling
Elevation	3000m (Derating above 2000m)
Display	Touch screen
Fire Protection	PACK/System/Water fire protection/Ventilation & Explosion protection system
Communication Protocol	4G, Modbus RTU, Modbus TCP/IP
Standards-compliant	GB/T36276, GB/T34131, IEC62619, IEC63056, IEC60730, EN61000-6-2/4, IEC 62933, UL9540A

